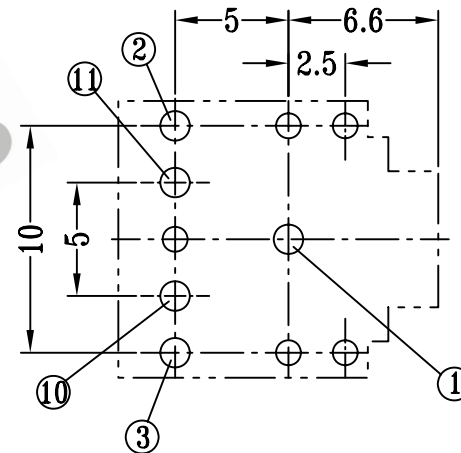
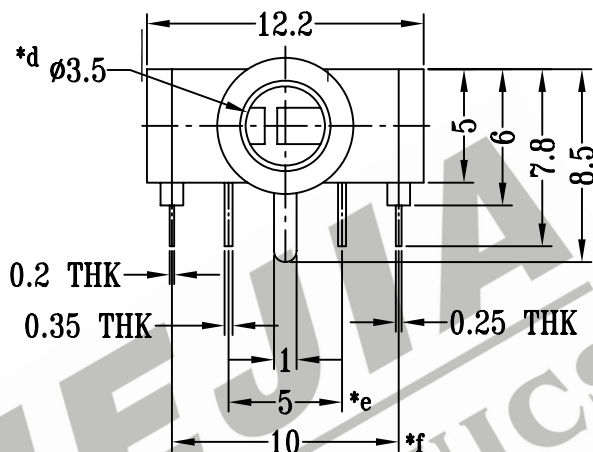
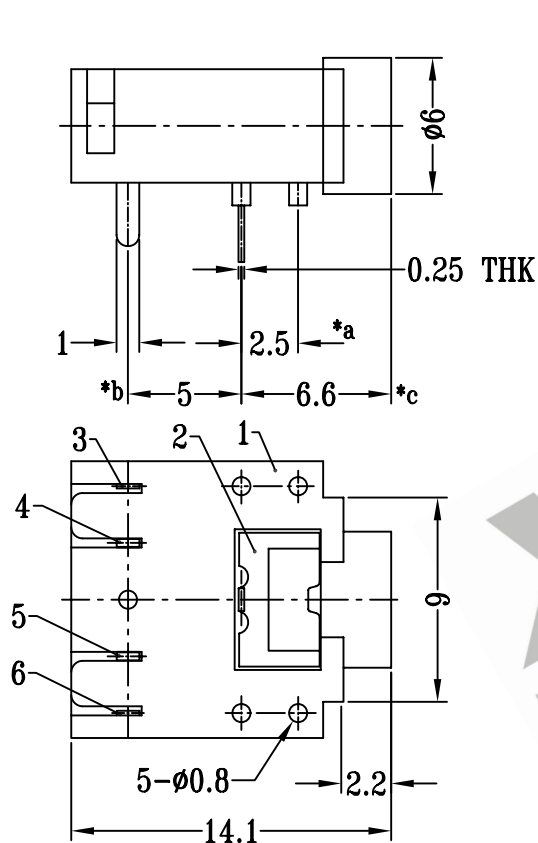
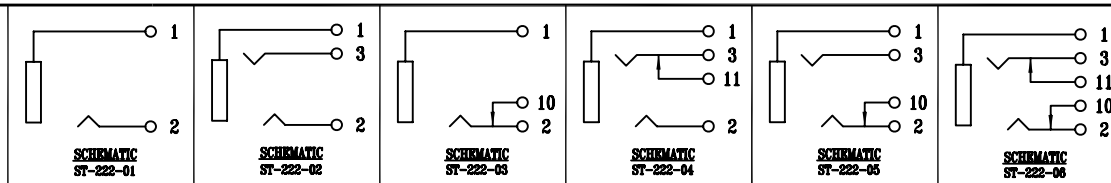


CAD FILE:



P.C.B LAYOUT

注:带"\*"表示关键尺寸(6个)

NO.	PARTS	MATERIALS	Q'TY	FINISH	TOLERANCE UNLESS SPECIFIED	SHENZHEN XIEJIA ELECTRONICS CO.,LTD.																															
8						<table border="1"> <tr> <td>ISSUE</td> <td>DATE</td> <td colspan="2">DESCRIPTIONS OF REVISION</td> <td>APPD.</td> </tr> <tr> <td></td> <td></td> <td colspan="2"></td> <td></td> </tr> </table>				ISSUE	DATE	DESCRIPTIONS OF REVISION		APPD.																							
ISSUE	DATE	DESCRIPTIONS OF REVISION		APPD.																																	
7																																					
6	SPRING TERMINAL C	STAINLESS STEEL	1	Ag PLATED OVER Ni PLATED	WITHIN: 1.5±0.1mm	<table border="1"> <tr> <td colspan="2">TITLE : PHONE JACK</td> <td>UNIT : mm</td> <td colspan="2">DRWG NO.: XJ-DR-ST222-00</td> </tr> <tr> <td colspan="2">MODEL: ST-222</td> <td>SCALE: 3:1</td> <td>DWN.</td> <td>ZHOUYU</td> <td>2000-8-1</td> </tr> <tr> <td colspan="2"></td> <td></td> <td>CHK'D</td> <td>FANGYING</td> <td>2000-8-1</td> </tr> <tr> <td colspan="2"></td> <td></td> <td>APPD.</td> <td>KANGXINAN</td> <td>2000-8-1</td> </tr> <tr> <td colspan="5">ALL MATERIALS MUST BE COMPLIANT TO ROHS</td> </tr> </table>				TITLE : PHONE JACK		UNIT : mm	DRWG NO.: XJ-DR-ST222-00		MODEL: ST-222		SCALE: 3:1	DWN.	ZHOUYU	2000-8-1				CHK'D	FANGYING	2000-8-1				APPD.	KANGXINAN	2000-8-1	ALL MATERIALS MUST BE COMPLIANT TO ROHS				
TITLE : PHONE JACK		UNIT : mm	DRWG NO.: XJ-DR-ST222-00																																		
MODEL: ST-222		SCALE: 3:1	DWN.	ZHOUYU	2000-8-1																																
			CHK'D	FANGYING	2000-8-1																																
			APPD.	KANGXINAN	2000-8-1																																
ALL MATERIALS MUST BE COMPLIANT TO ROHS																																					
5	TERMINAL B	BRASS STRIP	1	Ag PLATED OVER Ni PLATED	OVER: 1.5±0.2mm																																
4	TERMINAL A	BRASS STRIP	1	Ag PLATED OVER Ni PLATED																																	
3	SPRING TERMINAL B	STAINLESS STEEL	1	Ag PLATED OVER Ni PLATED																																	
2	SPRING TERMINAL A	STAINLESS STEEL	1	Ag PLATED OVER Ni PLATED																																	
1	CASE	POM	1	BLACK																																	